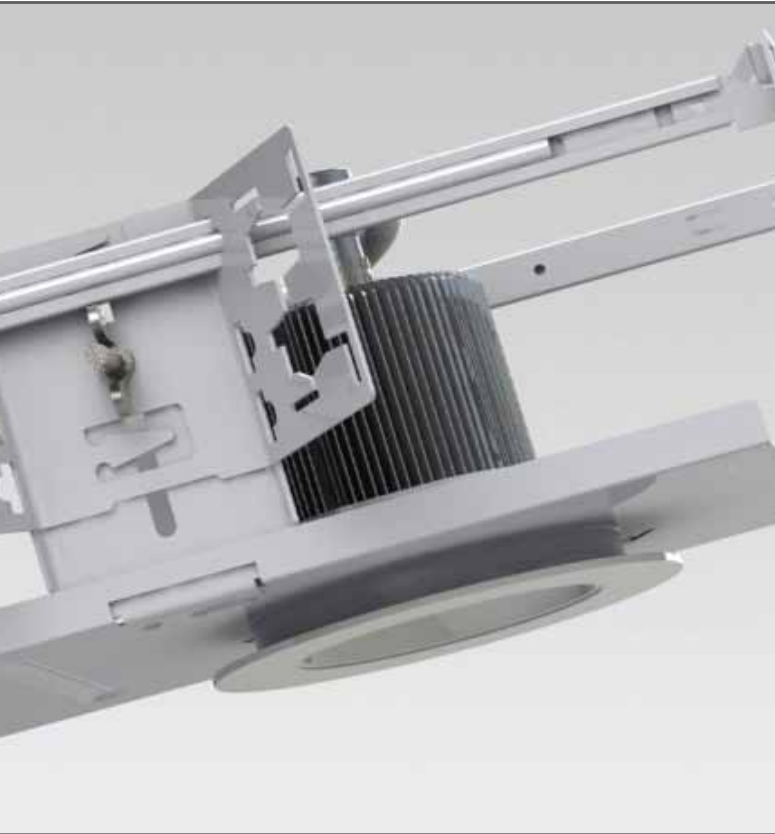


# ORR™

## LIGHTING

S9051N-15W  
S9051N-21W



ENERGY  
SAVING



ADDS  
SPARKLE



LOW  
MAINTENANCE



ENVIRONMENTALLY  
FRIENDLY



RETAIL



COMMERCIAL



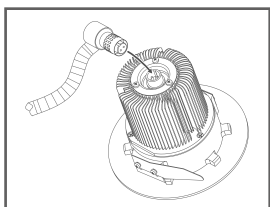
INSTITUTIONAL



RESIDENTIAL

### Features:

- High efficiency Nichia LEDs
- ENERGY STAR certified and eligible for hydro rebates
- Machined aluminum lamp body
- Precision multiple heat fins allow for optimum heat dissipation
- Quick Connect lamp module easily accessed & upgradable
- Housing made from galvanized steel
- Five ½" knockouts in junction box for quick wiring
- Adjustable mounting brackets accept wide range of mounting methods - hanger bars c/w captured nail for quick install
- Dimmable high quality driver that is easily accessed
- Precision formed architectural trim finishes



◀ QUICK CONNECT

### Specifications:

MODEL	S9051N-15W / S9051N-21W
Rated Voltage	120V-60Hz
Rated Power	15W/21W
Rated Line Current	0.125A / 0.170A
Power Factor	0.95
LED Current	700mA
Lamp Life	>50000h
Lumen Maintenance	>90% 25,000h; >70% 50,000h, 55°C
Chromaticity Shift	.0012 @ 6,000h, 55°C, 700mA
Light Source	5x3W / 7x3W LED
Beam Angle	55° / 40°
Work Temperature	-20°C to +40°C
Lumen Flux(Min.)	620Lm / 1000Lm
Render Index(Ra)	85
Dimmable	Yes
Suitable for Damp Locations	Yes
Warranty	5 Years Limited

### Comparison Chart:

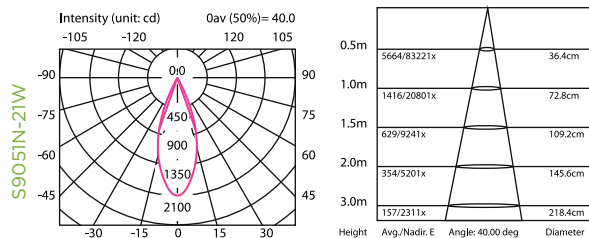
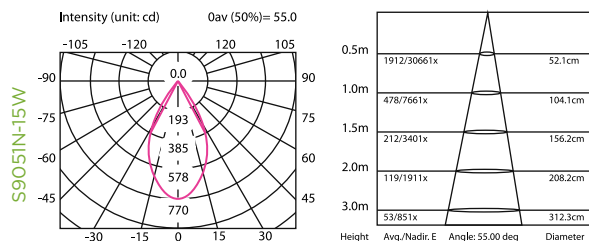
#### HALOGEN

Energy consumption 50W/75W  
 High bulb temperature  
 Breakable (glass)  
 Life approx 2,000 hrs  
 Limited warranty < 2,000 hrs  
 High maintenance

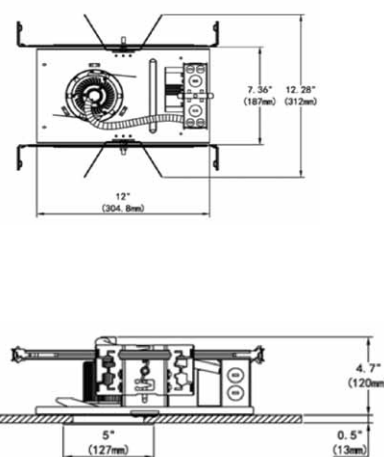
#### LED S9051N

Lower energy consumption 15W/21W  
 Cool burning  
 Robust, vibration resistant  
 Life > 30,000hrs  
 Limited 5 year warranty  
 Low maintenance

### Photometrics



### Schematics



S9051N-15W



MW



GR

S9051N-21W



MW



GR

SAMPLE CATALOGUE NUMBER: S9051N-21W-BA-30

CAT NO.	HOUSING	WATTAGE	FINISH	COLOUR TEMP.
	S9051N	15 - 15W 21 - 21W	BA - BRUSHED ALUM MW - MATTE WHITE GR - GRAPHITE	27-2700K 30-3000K 40-4000K



**ORR Lighting™**  
 Div. of Can-Bramar Ltd.  
 1939 Leslie St., Toronto  
 ON Canada M3B 2M3  
 info@OrrLighting.com  
 416-251-3232